

TRADITIONAL PLP PULLDOWN FAUCET SPECS

Model # 5600



PRODUCT DESCRIPTION

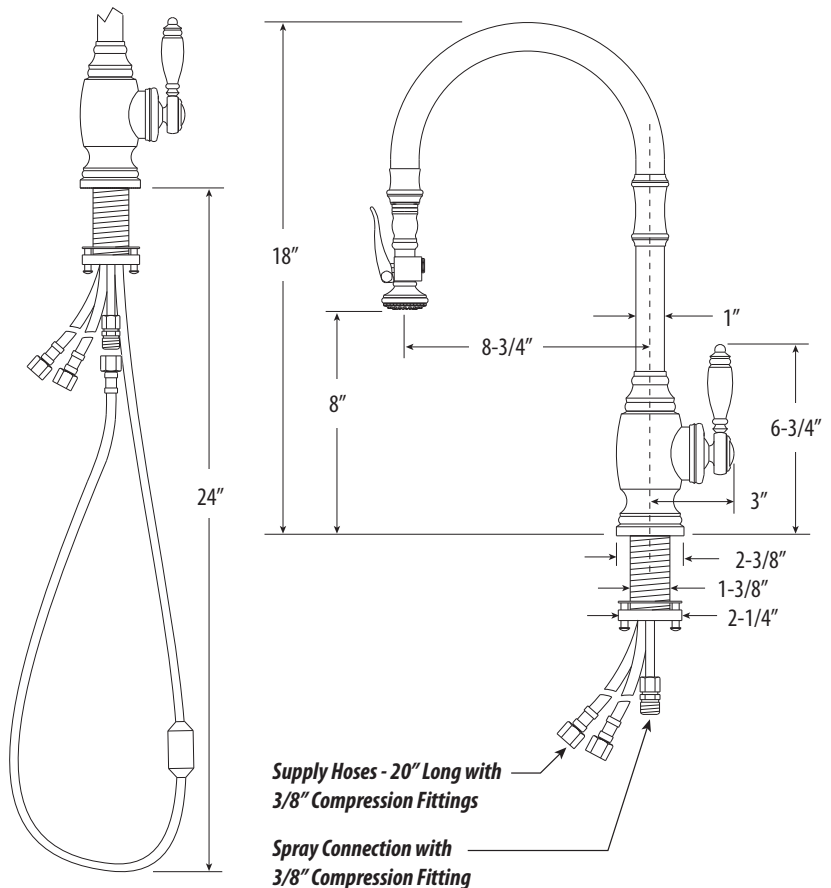
- Compatible with Reverse Osmosis filtration systems.
- Unique "PLP" positive lock holds spray head in place.
- Spray head extends 18" from spout.
- Pre-positioned "Easy Pull" counterbalanced weight.
- Select lever spray or aerated stream.
- 1.75 gpm maximum flow rate when aerated stream is selected.
- Solid brass construction.
- Spout swivels 360 degrees.
- Single lever control with Hot/Cold ceramic disk valve cartridge.
- Handle adjusts 22.5 degrees in either direction for backsplash clearance.
- Adjustable PTFE "Friction Lock" helps handle feel and prevents sag.
- Includes 3 handle button options. Finish match, ceramic Hot/Cold indicator and ceramic Cold/Hot indicator.
- Reinforced braided connection hoses.

CODES/STANDARDS APPLICABLE

Specified model meets or exceeds the following:

- ASME A112.18.1
- CSA B125.1
- NSF 61, 372
- CALGreen

- Max Counter Thickness 2-3/8"
- Minimum Install Hole Size 1-1/2"



ECO BRASS
 HIGH PERFORMANCE LEAD FREE BRASS

DIMENSIONS MAY VARY AND ARE SUBJECT TO CHANGE. NO RESPONSIBILITY IS ASSUMED FOR USE OF SUPERCEDED OR VOIDED DATA

AVAILABLE IN 33 FINISHES

Almond - 01	Black Nickel - BLN	Distressed Antique Copper - DAC	Polished Gold - PG	Tuscan Brass - TB
Antique Brass - AB	Black-Oil Rubbed Bronze - ORB	Distressed American Bronze - DAMB	Polished Nickel - PN	Unlaquered Polished Brass - UPB
Antique Bronze - ABZ	Biscuit - 07	Distressed Antique Pewter - DAP	Satin Chrome - SC	Venetian Bronze - VB
Antique Copper - AC	Caribbean Bronze - CB	Euro-White - EW	Satin Gold - SG	Weathered Brass - WB
American Bronze - AMB	Chocolate Bronze - CHB	Matte Black - MB	Satin Brass - SB	Weathered Copper - WC
Antique Pewter - AP	Chrome - CH	Polished Brass - PB	Satin Nickel - SN	White - WT
Black - 06	Distressed Antique Brass - DAB	Polished Copper - PC	Stainless Steel - SS*	

*Contemporary Styles Only