

**TAYLOR
67" ACRYLIC
RECTANGULAR TUB**

Cat. No.
ATCRECN67F



L: 66-3/8"
W: 29-1/4"
H: 22-3/8"

Water depth: 17-7/8" to top of tub
Water depth: 15-1/8" to OF

The following is recommended for ATCRECN67F tubs:

- Faucets: part #7901 or 7913
- Leg tub drain: part #5599LT



Overflow can be drilled. With overflow drilled this tub requires drain 5599PD. **Tubs that have been drilled with overflow are "special order" and are not returnable.**

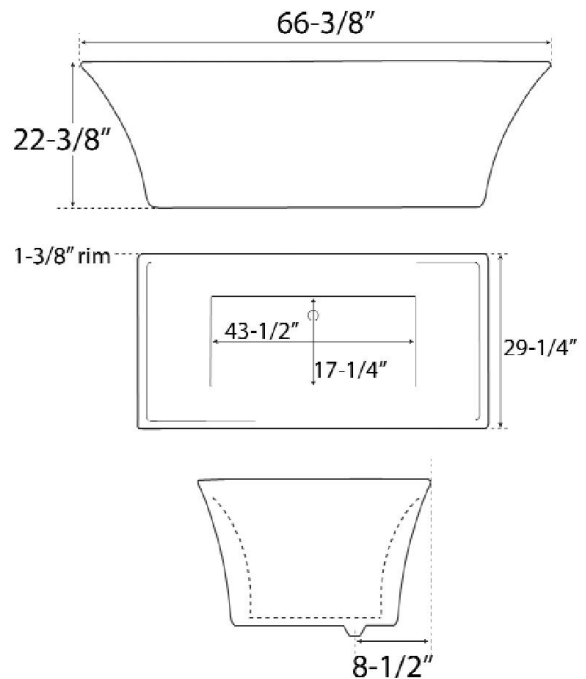
Gallon Capacity without OF:	58
Gallon Capacity with OF:	49
Shipping Weight:	294 lbs.
Empty Weight:	94 lbs.
Filled Weight without OF:	578 lbs.
Filled Weight with OF:	503 lbs.

Features:

- ▶ Acrylic construction for lighter weight
- ▶ Air between sheet provides insulation to help retain warmth
- ▶ Option to add foam insulation between tub walls
- ▶ Sleek design compliments many decors
- ▶ For use with a freestanding tub filler or faucet mounted on the wall
- ▶ No faucet holes
- ▶ No overflow
- ▶ Tub is thoroughly inspected before shipment



Custom Colors Available (inside of tub is always white enamel):
Painted bathtubs are considered "special order" and are not returnable
\$160 Bisque or Black \$250 Designer Color



Dimensions of fixture are nominal and specifications subject to change without notice.