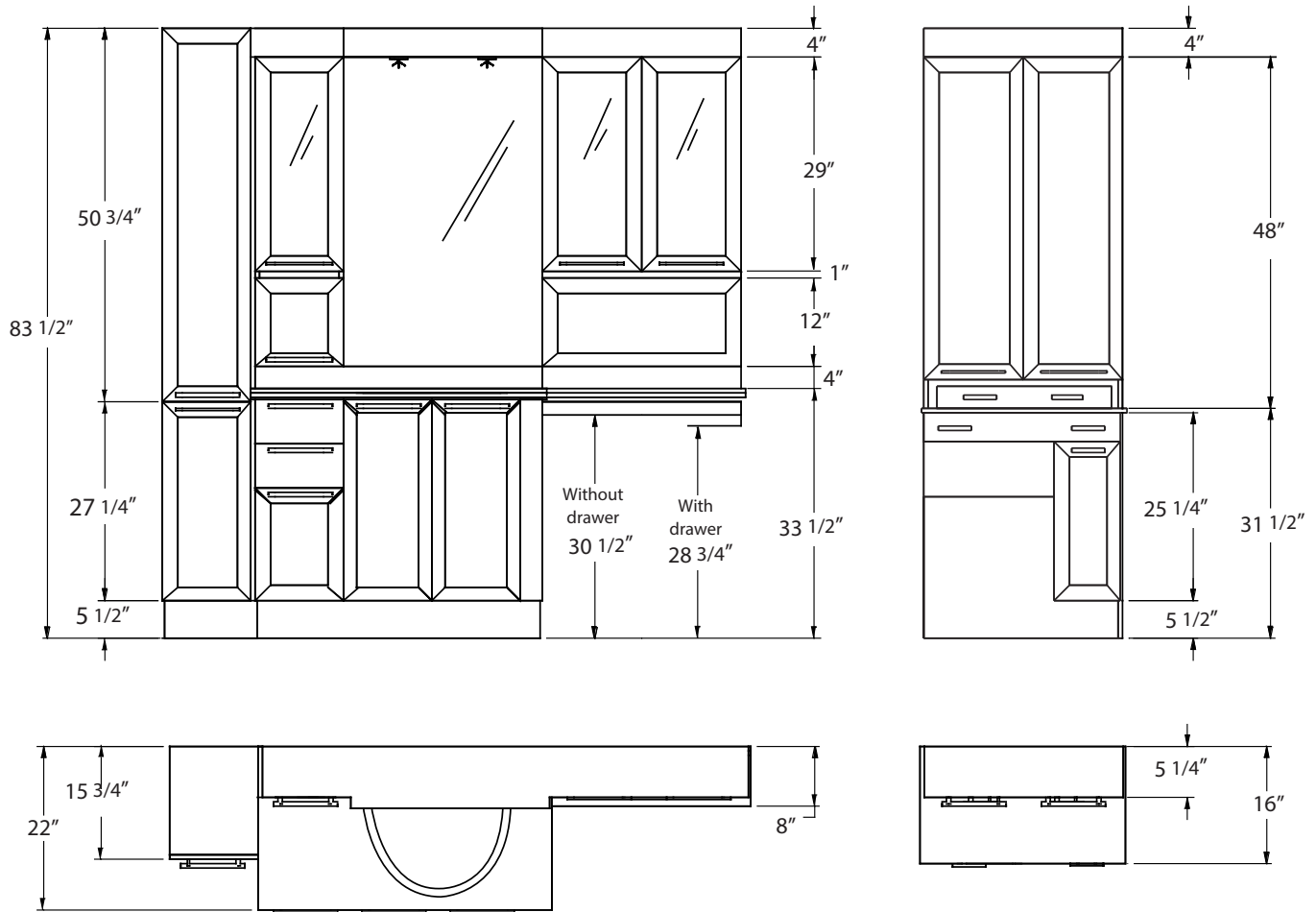


# SCANDIA | SELECTION

## DIMENSIONS



A FILLER ALWAYS CLOSSES THE GAP BETWEEN THE VANITY (UPPER & LOWER) AND A LINEN CABINET OR A WALL.

- FILLER OF 5/8" WITH GLASS, MARBLE OR QUARTZ COUNTERTOP.
- FILLER OF 1/2" WITH UNIMAR<sup>+</sup>.

### UNIMAR<sup>+</sup> COUNTERTOP

- EXCEEDS FURNITURE BY 1/2".



### MARBLE, QUARTZ OR GLASS COUNTERTOP

- EXCEEDS FURNITURE BY 5/8".



### AVAILABLE HEIGHT FOR THE TOILET TANK:

**30 1/2"** WITH EXTENDED COUNTERTOP WITHOUT DRAWER.

**28 3/4"** WHEN THERE IS A DRAWER BELOW THE EXTENDED COUNTERTOP.



# SCANDIA | SELECTION

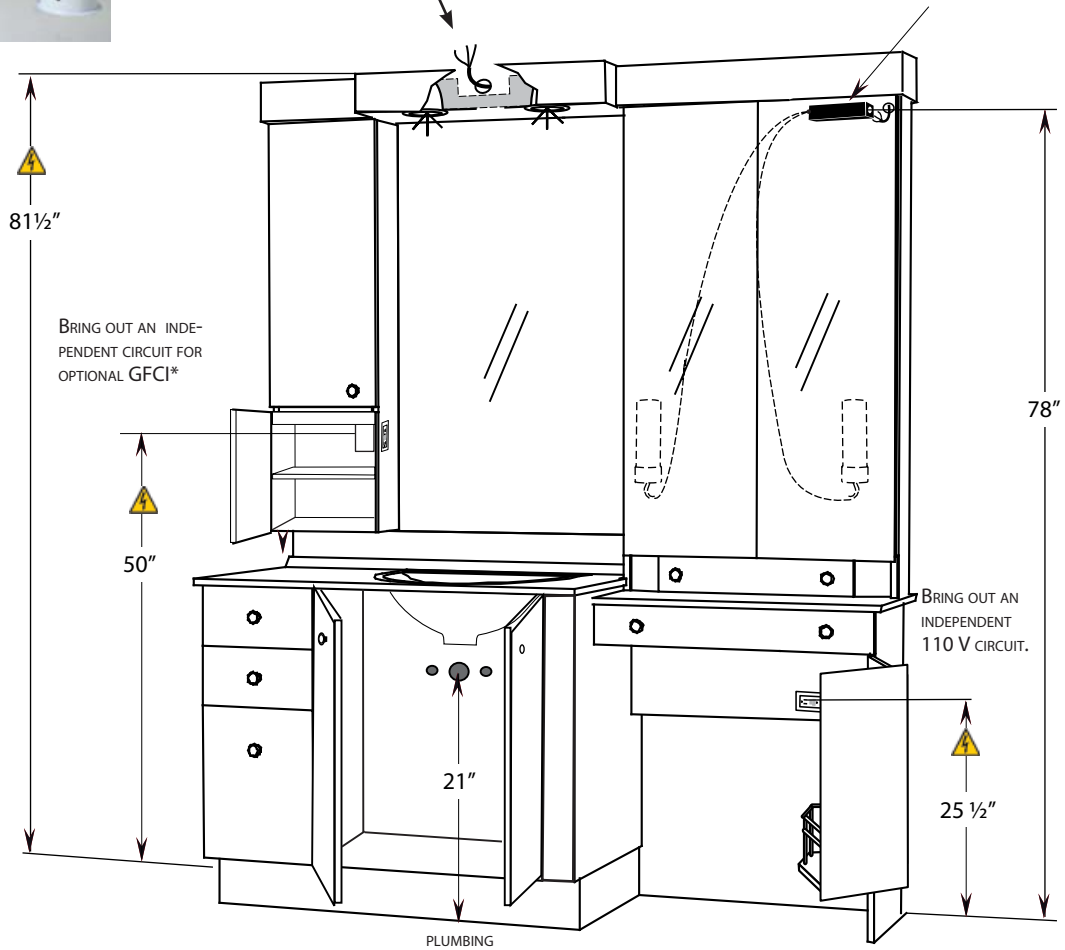
## DIMENSIONS

**BRING OUT A 110V PIGTAIL** CONNECTED TO THE MAIN SWITCH FOR THE LIGHTING UNIT.

THE BACK OF THE LIGHTING UNIT WILL HAVE TO BE CUT.



**INDEPENDENT 110V CIRCUIT**  
(LIGHTING SWITCHES ON WHEN OPENING DOORS).



GFCI outlet is always located opposite side of the hinges.